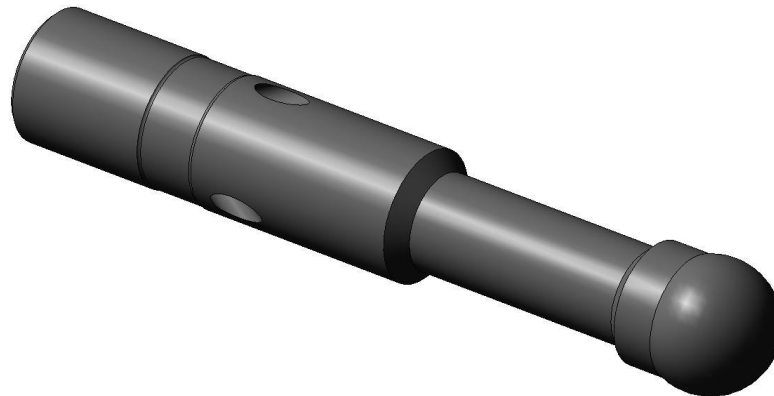


THE JETTING SPHERICAL NOZZLE ShNP

The Jetting Spherical Nozzle ShNP is used to activate downhole tools with preliminary washover of place of setting.

The tool is made of alloy steel and has a spherical nozzle at the one end and connecting thread to connect to coiled tubing at the other end. The body has lateral flushing ports permitting the jet to clean the place of seating from accumulated sludge.



Code	Connecting thread	Diameter of spherical nozzle, in	Diameter of connecting thread, in	Diameter of flushing port, in	Diameter of center opening, in	Length, ft
ShNP-51,76	1 AMMT	2.04	1.5	0.47	0.63	1.12
ShNP -54,00	1,5 AMMT	2.13	2.13	0.47	0.79	1.12
ShNP -56,03	1,5 AMMT	2.21	2.13	0.47	0.79	1.12
ShNP -58,11	1,5 AMMT	2.29	2.13	0.47	0.79	1.12
ShNP -60,3	1,5 AMMT	2.37	2.13	0.47	0.79	1.14
ShNP -62,53	1,5 AMMT	2.46	2.13	0.47	0.79	1.14
ShNP -64,85	1,5 AMMT	2.55	2.13	0.47	0.79	1.14